

Conference Paper

The Impact of The Intensity of Social Media Use, Self Confidence, and Time Management on Procrastination of Thesis Preparation in S1 Students of Faculty of Economics, State University of Jakarta

Tuty Sariwulan, Agus Wibowo, and Siti Dahlianti Utami

Economic Education Study Program, State University of Jakarta

Abstract

This research was conducted at the Faculty of Economics, State University of Jakarta for three months, starting from May through July 2019. The method used in this research was the survey method. The data used in this research is quantitative data and path analysis was conducted. The population in this study were all students of the S1 Faculty of Economics, State University of Jakarta force in 2015. The sampling in this study uses the Proportional Stratified Random Sampling method. The sample in this study amounted to 130 students of the Faculty of Economics, State University of Jakarta force in 2015. The results of this study are: (1) There was a negative and significant effect on the Intensity of the Social Media Use on Time Management. (2) There is a positive and significant effect of Self-Confidence on Time Management. (3) There is a positive and significant effect on the Intensity of the Social Media Use on the Procrastination of Thesis Preparation. (4) There is a negative and significant effect of Self-Confidence on the Procrastination of Thesis Preparation. (5) There is a negative and significant effect of Time Management on Procrastination of Thesis Preparation. (6) There is a positive and significant effect on the Intensity of the Social Media Use on the Procrastination of Thesis Preparation through Time Management. (7) There is a negative and significant effect of Self-Confidence in the Procrastination of Thesis Preparation through Time Management. (8) There is an effect of the Intensity of Social Media Use, Self-Confidence and Time Management on the Procrastination of Thesis Preparation.

Keywords: Intensity of Social Media Use, Self-Confidence, Time Management, Procrastination

Corresponding Author:

Tuty Sariwulan
 tuty.wulan@yahoo.com

Published: 11 November 2020

Publishing services provided by
Knowledge E

© Tuty Sariwulan et al. This article is distributed under the terms of the [Creative Commons Attribution License](#), which permits unrestricted use and redistribution provided that the original author and source are credited.

Selection and Peer-review under the responsibility of the IC-HEDS 2019 Conference Committee.

 **OPEN ACCESS**

1. Introduction

Students as one of the agents of change have assignments and obligations which are certainly not easy. There are many things that must be carried by a student. As of November 2018, there are around 7.5 million students in Indonesia. Delivered directly by

the Head of Reasoning and Creativity of Kemenristekdikti Misbah Fikrianto at a national seminar at the Ristek Hasanuddin University (UNHAS) Makassar Building on Monday (12/11), that the number is not proportional to the population of education age in the country. That means only a handful of people have the opportunity to sit on the lecture bench.

The closest and most frequent problem faced by students when studying in college is the problem of the inability of students to complete assignments in a timely manner due to the delay factor commonly known as academic procrastination. Academic procrastination by Ferrari is a delay process performed on formal duties related to academic for example a school assignment or task Kulia [1]. According to Burka & Yuen it is estimated that procrastination that occurs among students is around 75 percent, with 50 percent of these students acknowledging that they consistently proclaimed it and considered it a problem for themselves [2].

Procrastination can be caused by several factors. According to Ferrari, there are several causes of procrastination behavior, namely the presence of irrational thoughts from procrastinators, the anxiety because of their ability to be evaluated, fear of failure and difficulty in making decisions, needing help from others to do their work, lazy and having difficulty managing time, dislike their duties, *punishment* and *reward*, the existence of environmental factors that support to carry out procrastination, the existence of tasks that accumulate too much and must be done immediately, and carry out other activities that are more fun [1].

2. Literatur Studies

2.1. The Impact of Intensity of Social Media Use on Time Management

Ineffective time management can have an impact on time wastage, i.e. spending time without getting good or needed benefits. One disruption that can cause time wastage is the desire to use or access social media [3]. According to Lakein, a person who is active in social media cannot manage his time well, so his goals and objectives are not achieved [4].

2.2. The Impact of Self-Confidence on Time Management

Self-Confidence owned by someone is certainly different. According to Hakim, the hope of self-confidence does not just appear on a person, there is a certain process in his person so that the formation of self-confidence occurs [5]. Someone which have high self-confidence, then they will make good time management, so that the goal of his life will be achieved. Considering self-confidence is very important for every human being to face all challenges and problems in his life, and to be more optimistic in facing the future [6].

2.3. The Impact of Intensity of Social Media Use on Procrastination of Thesis Preparation

The use of social media continuously will affect the academic procrastination of a student. According to Timpe here are 3 reasons for someone to delay (procrastination): (1) we tend to postpone what we feel is unpleasant, (2) difficult, or make us doubtful, and (3) someone also prefers pleasant things [7]. One of the fun things is accessing social media. Accessing social media certainly makes a person forget the time and thus leave the tasks that he should be doing.

2.4. The Impact of Self-Confidence on Procrastination of Thesis Preparation

There are several opinions which suggest that self-confidence can affect academic procrastination. Individuals who have low confidence will tend to do academic procrastination [8]. Ghufroon & Risnawati according factors that affect a person's conduct academic procrastination there are factors which are internal factors and external factors. Internal factors include the physical and psychological conditions of the individual [9].

While external factors can be in the form of parental influence and a conducive environment with low supervision. Insecurity is included in internal factors that can affect the occurrence of academic procrastination carried out by someone. These psychological conditions include personality traits, one personality trait is confidence [9].

2.5. The Impact of Time Management on Procrastination of Thesis Preparation

According to Noran, there are several causes of procrastination, namely time management, inability to concentrate or have a low level of awareness, fear and anxiety in failure, lack of ability possessed [10]. Time management is included in the factors that can influence procrastination because it indicates that a person cannot prioritize time. In line with Ferrari which states that someone who does academic procrastination is due to laziness and lack of time management [11].

2.6. The Impact of Intensity of Social Media Use on Procrastination of Thesis Preparation Through Time Management

The disrupted time management resulting from too often accessing social media will certainly affect academic procrastination. According to Timpe here are 3 reasons for someone to delay (procrastination): (1) we tend to postpone what we feel is unpleasant, (2) difficult, or make us doubtful, and (3) someone also prefers pleasant things [7]. One of the fun things is accessing social media.

According to Lakein someone who is active in social media cannot manage his time well, so his goals and objectives are not achieved [4]. In line with Manz which says that the behavior of procrastinators will be influenced by goals, objectives and systematic priority setting. This priority setting refers to the time management that is owned to prioritize which is more important first, and leave things that are less useful [4].

2.7. The Impact of Self-Confidence on Procrastination of Thesis Preparation Through Time Management

Bernad states that, students who have a tendency to procrastinate in preparing their thesis are caused by students feeling anxious and afraid of obstacles in preparing their thesis, such as lack of confidence and always blame themselves when mistakes occur in doing thesis, consider the thesis as a task that can make him feel uncomfortable so that the excuse to other activities that are considered fun and spend time with things that are not useful [12]. When someone spends time with things that are not useful, it will indirectly damage the time management of that person which has an impact on academic procrastination [12].

2.8. The Impact of the Intensity of Social Media Use, Self-Confidence and Time Management on Procrastination of Thesis Preparation

According to Ferrari have some of the causes of procrastination behavior, ie of internal and external factors [2]. Self-confidence is include in the internal factors that cause someone to procrastinate. The existence of irrational thoughts from procrastinators, the existence of anxiety because of their ability to be evaluated, fear of failure and difficulty in making decisions, needing help from others to do their work, lazy and having difficulty managing time, dislike their tasks, *punishment* and *reward* , environmental factors that support to do procrastination, the existence of tasks that accumulate too much and must be done immediately, as well as carrying out other activities that are more fun can also cause someone to do academic procrastination.

3. Methods and Equipment

3.1. Place and Time of Research

The study was conducted at the Faculty of Economics, University of Jakarta, located on State University of Jakarta. This study was conducted in May to July 2019. The researchers memillih time background by the time owned by the researchers because there is no face to face courses to be taken. The time period is also a time where a graduate student busy for his thesis, and thus has many obstacles in the process of preparation of the thesis.

4. Research Methods

This study uses a quantitative approach where statistical research as an analytical technique to test a theory. This research obtains data sources through a survey with questionnaires distributed to the research subject. Researchers used the primary data source of the study population data that will be used to estimate the number of samples for the deployment of questionnaires.

5. Types and Sources of Data

The data used in this study is quantitative data. As for how to get it is by using primary data. Own primary data obtained from the questionnaire is the data directly from the

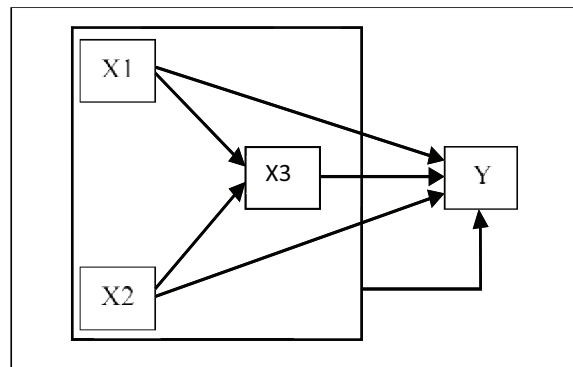


Figure 1: Constellation Research

source without using an intermediary research. Sources of data in this study are obtained from the questionnaire or questionnaires that have been distributed to the study sample were used as research instruments.

6. Population and Sample

In this study, the study population is all students of Faculty of Economics, University of Jakarta. Affordable population in this study were students S1 class of 2015, Faculty of Economics, State University of Jakarta. Sample selection is done after the election of the population according to the title of the study. In this study, respondents to be sampled are as many as 130 students. The sampling in this study using Proportional Stratified Random Sampling.

7. Data Collection Technique

A data collection techniques are needed to obtain the data in accordance with the purpose of research. In this study has 4 (four) variables, namely Procrastination of Thesis Preparation (Y), the Intensity of Social Media Use (X1), Self-Confidence (X2) and Time Management (X3). In order to obtain information that is clear, in this study using techniques of data collection questionnaire or questionnaires.

8. Data Analysis Technique

The technique used in this study aims to determine the effect of directly or indirectly in a quantity effect of one variable with another variable. Data processing was performed using SPSS. The assay used in this study are: (1) The analysis covers prerequisite test

Normality Test and Linearity, (2) for Equation Path Analysis, and(3) test which includes test coefficient correlation coefficient and coefficient of determination.

9. Results and Discussion

9.1. Results

The test results normality test using test One Sample Kolmogorov-Smirnov Test, it is known significance (Asymp. Sig) Procrastination of Thesis Preparation (Y) is worth 0.868, Intensity of Social Media Use (X1) worth 0,137, Self- Confidence (X2) is worth 0.428 and Time Management (X3) is worth 0.148. Because four of the variable data has greater significance than 0.05, it can be concluded that Ho is accepted, which means the normal distribution of data. Results of testing the linearity test to see significant value in Deviation from Linearity of each variable > 0.05 or F-count > F-table it can be said that the whole test the linearity of each variable has a linear relationship.

TABLE 1: Correlation Between Variables

		Y	X1	X2	X3
Y	<i>Pearson Correlation</i>	1	.698 **	-.574 **	-.614 **
X1	<i>Pearson Correlation</i>	.698 **	1	-.766 **	-.823 **
X2	<i>Pearson Correlation</i>	-.574 **	-.766 **	1	.828 **
X3	<i>Pearson Correlation</i>	-.614 **	-.823 **	.828 **	1

** Correlation is significant at the 0:01 level (2-tailed).

Pearson Correlation value obtained from the Intensity of Social Media Use on Time Management is negative. This means that the stronger the Intensity of Social Media Use, then progressively decrease Time Management. The results obtained figures correlation of -0.823 with probability value (sig) = 0.000, which sig<0.05 then Ho is rejected and Ha accepted. This means that there is a significant negative relationship between the variables and the Intensity of Social Media Use on Time Management.

Pearson Correlation value obtained from the Self-Confidence on Time Management is a positive value. This means that the stronger Self-Confidence, then increase the Time Management. The results obtained figures correlation of 0.828 with a probability value (sig) = 0.000, which sig <0.05 then Ho is rejected and Ha accepted. This means that there is a positive and significant relationship between the variables of Self-Confidence on Time Management.

Pearson Correlation value obtained from the Intensity of Social Media Use on the Procrastination of Thesis Preparation is a positive value. This means that the stronger

the Intensity of Social Media Use, then increase Procrastination Thesis Preparation. The results obtained figures correlation of 0.698 with a probability value (sig) = 0.000, which sig <0.05 then Ho is rejected and Ha accepted. This means that there is a positive and significant relationship between the variables of Intensity of Social Media Use on Procrastination of Thesis Preparation.

Pearson Correlation value obtained from Self-Confidence on Procrastination of Thesis Preparation is a negative value. This means that the stronger Self- Confidence, then progressively decrease Procrastination Thesis Preparation. The results obtained figures correlation of -0.574 with probability value (sig) = 0.000, which sig <0.05 then Ho is rejected and Ha accepted. This means that there is a significant negative relationship between the variables Self-Confidence on Procrastination of Thesis Preparation.

Pearson Correlation value obtained from Time Management on Procrastination of Thesis Preparation is negative. This means that the stronger the Time Management, then the lower the Preparation of Thesis Procrastination. The results obtained figures correlation of -0.614 with probability value (sig) = 0.000, which sig <0.05 then Ho is rejected and Ha accepted. This means that there is a significant negative relationship between the variables Time Management on Procrastination of Thesis Preparation.

TABLE 2: Summary of Coefficients Decomposition Line

No.	Variables influence	Influence of Causal		rest ε1	Total
		Directly	Indirect		
1.	X1 to X3	-0.823	-	-	-0.823
2.	X2 to X3	0.828	-	-	0.828
3.	X1 to Y	0.698	-	-	1.203
4.	X1 to Y via X3	-	0.505	-	
5.	X2 to Y	-0.574	-	-	-1.082
6.	X2 to Y via X3	-	-0.508	-	
7.	X3 to Y	-0.614	-	-	-0.614
8.	X1, X2 and X3 to Y	.493	-	0.507	1,000

Source: data processed by researchers

Based on the above table it can be seen that there is a direct and indirect influence of each relationship between variables. Simultaneous contribution of variable Intensity of Social Media Use (X1), Self-Confidence (X2), and Time Management (X3) against Procrastination of Thesis Preparation (Y) amounted to 49.3% or independent variable Intensity of Social Media Use (X1), Self-Confidence (X2), and Time Management (X3) amounted to 49.3% were able to explain the dependent variable Procrastination of Thesis Preparation (Y), while the remaining 50.7% is influenced by factors outside of this study. The degree of relationship between variables Intensity of Social Media Use (X1),

Self-Confidence (X2), Time Management (X3) and Procrastination of Thesis Preparation (Y) fall into the category quite strong.

9.2. Discussions

9.2.1. The Impact of Intensity of Social Media Use on Time Management

Based on the results of the analysis test, there is a negative influence between the intensity of social media use on time management. That is, if the intensity of a person's use of social media is high, then his time management will be low.

This research is supported by research conducted by Suryo entitled "The Relationship Between Time Management and Academic Procrastination of High School Students Active in Social Media in Yogyakarta". Where the results of this study indicate the influence of the intensity of social media use on time management [13].

9.2.2. The Impact of Self-Confidence on Time Management

Based on the results of the analysis test, there is a positive influence between confidence in time management. That is, if a person's confidence is high, then his time management is high.

This research is supported by research conducted by Kusnul & Djalali entitled "Time Management, Self-Efficacy and Procrastination". Where the results of this study indicate the influence of the self-confidence on time management [11].

9.2.3. The Impact of Intensity of Social Media Use on Procrastination of Thesis Preparation

Based on the results of the analysis test, there is a positive influence between the intensity of social media use on procrastination of thesis preparation. That is, if the intensity of a person's use of social media is high, then the level of procrastination in the preparation of his thesis will be high.

This research is supported by research conducted by Hervani entitled, "The Use of Social Media and the Impact on Academic Procrastination in Yogyakarta State University Students Force 2013". Where the results of this study indicate the influence of the intensity of social media use on academic procrastination [7].

9.2.4. The Impact of Self-Confidence on Procrastination of Thesis Preparation

Based on the results of the analysis test, there is a negative influence between confidence on procrastination of thesis preparation. That is, if a person's confidence is high, then the preparation of his thesis preparation will be low.

This research is supported by research conducted by Arie Prima Usman Kadi entitled, "The Relationship of Self Confidence and Self Regulated Learning Against Academic Procrastination in Psychology Students 2013", where the results of this study indicate the influence of self confidence in academic procrastination [14].

9.2.5. The Impact of Time Management on Procrastination of Thesis Preparation

Based on the results of the analysis test, there is a negative influence between time management on procrastination of thesis preparation. That is, if someone's time management is high, then the thesis preparation procrastination is low.

This research is supported by research conducted by Kusnul & Djalali entitled "Time Management, Self-Efficacy and Procrastination". Where the results of this study indicate the influence of time management on academic procrastination [11].

9.2.6. The Impact of Intensity of Social Media Use on Procrastination of Thesis Preparation Through Time Management

Based on the results of the analysis test, there is an influence between the intensity of social media use on procrastination of thesis preparation through time management. Where the intensity of the use of social media can affect the level of procrastination of thesis preparation of one's thesis through time management.

This research is supported by research conducted by Suryo entitled "The Relationship Between Time Management and Academic Procrastination of High School Students Active in Social Media in Yogyakarta". Where the results of this study indicate the influence of the intensity of social media use on academic procrastination through time management [13].

9.2.7. The Impact of Self-Confidence on Procrastination of Thesis Preparation Through Time Management

Based on the results of the analysis test, there is an influence between confidence in procrastination of thesis preparation through time management. Where confidence can affect the level of procrastination in the preparation of one's thesis through time management.

This research is in line with what is said by Bernad, students who have a tendency to procrastinate in preparing their thesis because they feel anxious and afraid of the obstacles in preparing their thesis so that they pretend to other activities that are considered enjoyable and time-consuming with useless things [12]. When someone spends time with things that are not useful, it will indirectly damage the time management of that person which has an impact on academic procrastination.

9.2.8. The Impact of the Intensity of Social Media Use, Self-Confidence and Time Management on Procrastination of Thesis Preparation

Based on the results of the analysis test, there is an influence between the intensity of social media use, confidence and time management on the procrastination of thesis preparation. Where the intensity of social media use, confidence and time management can influence procrastination of thesis preparation in together.

This research is in line with what was said by Ferrari where there are several causes of procrastination behavior, namely from internal and external factors. Self-confidence is included in the internal factors that cause someone to procrastinate. In addition, poor time management and intensity of social media use can influence academic procrastination [1].

10. Conclusions and Recommendations

10.1. Conclusions

1. There is a negative and significant impact on the Intensity of Social Media Use on Time Management.
2. There is a positive and significant impact on Self-Confidence on Time Management.

3. There is a positive and significant effect on the Intensity of Social Media Use on Procrastination of Thesis Preparation.
4. There is a negative and significant impact on Self-Confidence on Procrastination of Thesis Preparation.
5. There is a negative and significant impact on Time Management on Procrastination of Thesis Preparation.
6. There is a positive and significant effect on the Intensity of Social Media Use on Procrastination of Thesis Preparation through Time Management.
7. There is a negative and significant impact on Self-Confidence on Procrastination of Thesis Preparation through Time Management
8. There is the Intensity of Social Media Use, Self-Confidence and Time Management on Procrastination of Thesis Preparation

10.2. Recommendations

Based on the conclusions outlined above, the researchers gave suggestions are expected to be helpful and useful in the future. The suggestions are:

1. Relevant agencies will be expected to always guide and motivate the students to understand the importance of the thesis that students begin working on the thesis in a timely manner and avoid delay in the long term.
2. Agencies are also expected to create a program that relates to preparation of the thesis is good and right so that students better understand how writing his thesis in a timely manner.
3. Students are expected to lower academic procrastination behavior habits, especially during the process of preparation of the thesis. Procrastination time of preparation of the thesis can be addressed more aware of the importance of the thesis itself and begin to prioritize the important things first.
4. Students are expected to give up activities that are less useful so as to reduce the current academic procrastination thesis preparation process as well as the use of time is used more effectively and efficiently.
5. Students are also expected to continue to increase confidence that the thesis can also be resolved, as well as improving time management owned. Time management is very important to set a time used to complete the thesis.

References

- [1] Basri, A. S. H. (2017). Prokrastinasi Akademik Mahasiswa ditinjau dari Religiusitas. *J. Bimbingan, Konseling dan Dakwah Islam*, vol. 14, issue 2.
- [2] Muyana, S. (2018). Prokrastinasi Akademik Dikalangan Mahasiswa Program Studi Bimbingan dan Konseling. *J. Bimbingan. dan Konseling*, vol. 8, issue 1, pp. 45– 52, **doi: 10.25273/counselia.v8i1.1868**.
- [3] Kumorotomo, W. (2010). Menilai Situs Jejaring Sosial Secara Adil. Universitas Gajah Mada.
- [4] Juriana. (2000). Kesesuaian antara Konsep Diri Nyata dan Ideal dengan Kemampuan Manajemen Diri pada Mahasiswa Pelaku Organisasi. *J. Psikol.*, vol. 9, issue 5.
- [5] Syam, A. (2017). Pengaruh Kepercayaan Diri (Self Confidence) Berbasis Kaderisasi Imm Terhadap Prestasi Belajar Mahasiswa (Studi Kasus Di Program Studi Pendidikan Biologi Fakultas Keguruan Dan Ilmu Pendidikan Universitas Muhammadiyah Parepare). *J. Biotek*, vol. 5, pp. 87–102.
- [6] Lauster, P. (2012). *Tes Kepribadian*. Jakarta: Bumi Aksara.
- [7] Hervani, S. G. (2013). Penggunaan Sosial Media dan Dampak Terhadap Prokrastinasi Akademik Pada Mahasiswa Universitas Negeri Yogyakarta Angkatan 2013. *J. Bimbingan. Dan Konseling*, vol. 2, issue 5, pp. 62–69.
- [8] Rosario, P., et al. (2009). Academic Procrastination: Associations with Personal, School, and Family Variables. *J. Psychol.*, issue 2009, **doi: 10.1017/S1138741600001530**.
- [9] Ghufron, M. N. and Risnawita, R. (2012). *Teori-Teori Psikologi*. Yogyakarta: Ar- Ruzz Media.
- [10] Akinsola, M. K., Tella, A. and Tella, A. (2007). Correlates of Academic Procrastination and Mathematics Achievement of University Undergraduate Students. *Eurasia J. Math. Sci. Technol. Educ.*, vol. 3, issue 4, pp. 363–370.
- [11] Kusnul, I. S. and Djalali, M. A. (2013). Manajemen Waktu, Efikasi-Diri Dan Prokrastinasi. *J. Psikol. Indones.*, vol. 2, issue 3, pp. 217–222, 2013, **doi: 10.30996/persona.v2i3.140**.
- [12] Catrunada, L. and Puspitawati, I. (2008). *Perbedaan Kecenderungan Prokrastinasi Tugas Skripsi Berdasarkan Tipe Kepribadian Introvert dan Ekstrovert*. Universitas Gunadarma.
- [13] Suryo, J. A. C. (2017). *Hubungan Antara Manajemen Waktu dan Prokrastinasi Akademik Siswa SMA yang Aktif dalam Media Sosial di Yogyakarta*. Universitas Sanata Dharma Yogyakarta.

- [14] Kadi, A. P. U. (2016). Hubungan Kepercayaan Diri dan Self Regulated Learning Terhadap Prokrastinasi Akademik Pada Mahasiswa Psikologi 2013. *J. Psikol.*, vol. 4, issue 4, pp. 457–47.